

A5 TUBULAR ULTRAFILTRATION MODULE



PCI Membranes compact A5 tubular ultrafiltration module can be used for a wide range of industrial applications in the process industry for the economic concentration and clarification of process liquids and wastewaters.

The module comprises of a replaceable core of 69 tubes of 6mm diameter and uses PCI's robust PVDF membranes which are suited to a variety of different process conditions. Cores are fitted into PCI's proven

stainless steel housings giving a nominal total of 5m² of membrane area per 3.66m length module. (Shorter lengths are available: see over).

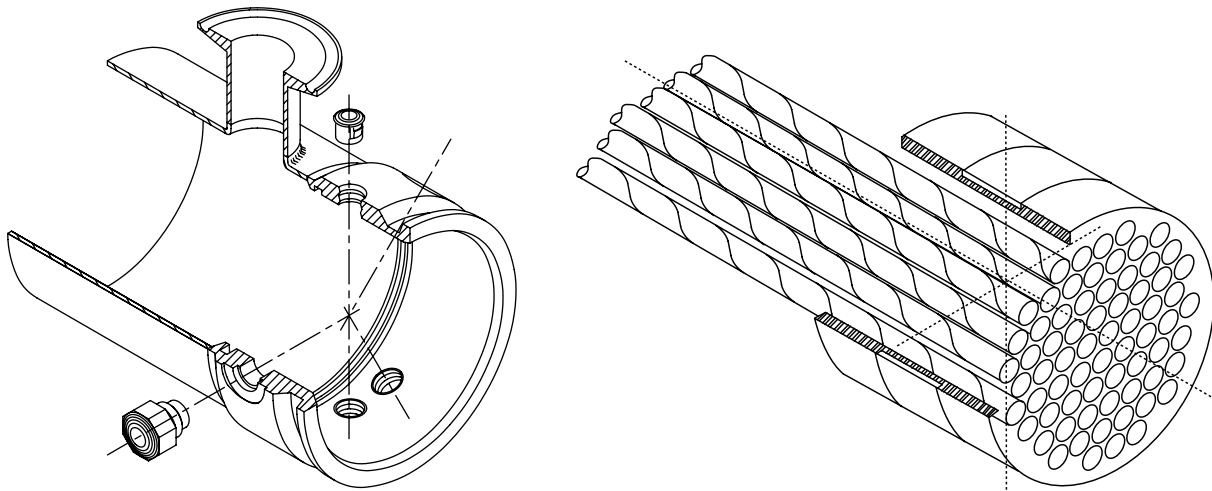
The compact design gives the module a high strength allowing operating pressures of 10 bar. PCI's unique insitu replaceable core enables fast, easy and cost-effective remembraning.

Key features and benefits

Replaceable membrane core	Allows fast, cost-effective remembraning, reducing downtime
Proven membranes	With applications in the fruit juice, wine and wastewater industries
Compact modular design	Quick and easy plant construction
Tubular module	Minimal prefiltration required, suited to viscous liquids and high levels of suspended solids

A5 TUBULAR ULTRAFILTRATION MODULE

PCI's unique insitu replaceable core enables fast, easy and cost-effective remembraning.



Specification

Operating pressure and temperature Up to 10 bar and 60°C

Shroud material AISI 316 Stainless Steel.
Other standards and material available on request

Membrane material PVDF

pH range 1.5 - 10.5

Length (m) 1.83

3.05

3.66

Area (m²) 2.34

3.97

4.76