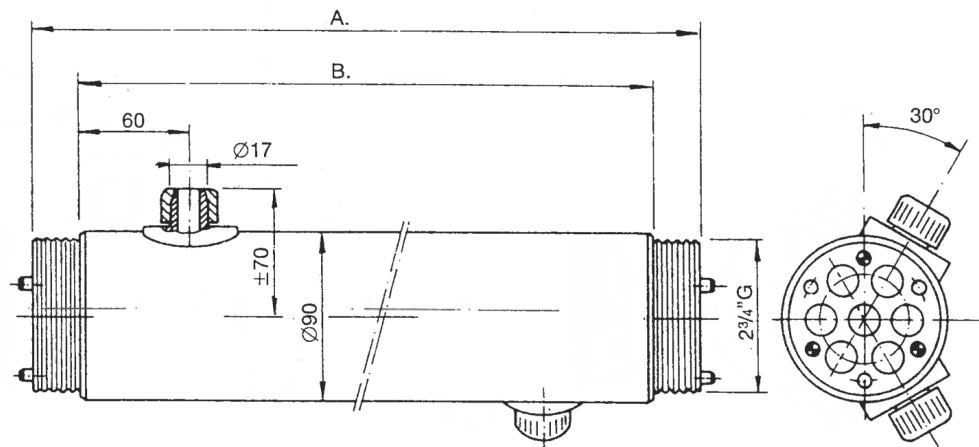


## PCI - 7P6 Module Datasheet

| Item | Part Number | Description                               | Quantity per 1 module | Material        |
|------|-------------|---|-----------------------|-----------------|
| 1    | 119687      | 7P interior PVC                           | 1                     | PVC             |
| 2    | 119815      | 7P exterior PVC                           | 1                     | PVC             |
| 3    | 102603      | U-Bend 7P/st=120mm 2¾"                    | 2                     | Stainless Steel |
| 4    | 102605      | U-Bend 7P/st=360mm 2¾ G"                  | 2                     | Stainless Steel |
| 5    | 109522      | Connection piece 7P-G 2¾ G"               | 2                     | PVC             |
| 6    | 102804      | Connection piece 7P permeate              | 2                     | PVC             |
| 7    | 102887      | Gasket 1/7 EPDM                           | 14                    | EPDM            |
| 8    | 201105      | Gasket 1/7 VITON                          | 14                    | VITON           |
| 9    | 108837      | Gasket Multi 19P EPDM                     | 14                    | EPDM            |
| 10   | 102895      | SS Spring                                 | 14                    | Stainless Steel |
| 11   | 217765      | O-Ring 75,57*5,33 EPDM 7P                 | 2                     | EPDM            |
| 12   | 129584      | O-Ring 90*4 EPDM 19R                      | 2                     | EPDM            |
| 13   | 4170807     | Hose permeate 14*2 d12 Polyros 7P 1 meter | 0,5                   | PVC             |
| 14   | 417080      | Hose permeate 20*3 d20 Polyros            | 0,5                   | PVC             |



### Dimensions & Weight

| Module Length (m) | A (mm) | B (mm) | Weight of Module (kg) | Weight Filled (kg) | Membrane Area Installed (m <sup>2</sup> ) | Membrane Area Effective (m <sup>2</sup> ) | Part Number |
|-------------------|--------|--------|-----------------------|--------------------|---|---|-------------|
| 6                 | 6,000  | 5,945  | 15.8                  | 43                 | 1.90                                      | 1.89                                      | 102775      |
| 4                 | 4,000  | 3,945  | 10.5                  | 28.5               | 1.26                                      | 1.25                                      | 102775/4    |
| 3                 | 3,000  | 2,945  | 8                     | 21.5               | 0.95                                      | 0.94                                      | 102775/3    |
| 1.75              | 1,750  | 1,695  | 4.6                   | 12.5               | 0.55                                      | 0.54                                      | 102775/1.75 |
| 1                 | 1,000  | 945    | 3                     | 7.5                | 0.31                                      | 0.30                                      | 102775/1    |